



CLEAN WATER

Allied Power | 奥华
We Empower Your Business



SoundSens *i*

Multi-point correlation system

SoundSens *i* is a multi-point correlation system that can accurately identify the position of a leak. Loggers can be deployed during the day but programmed to record overnight giving the best results in noisy environment i.e. Urban. HWM's SoundSens *i* system has been designed for high performance, versatility and speed of operations.

SoundSens *i* is ideal for both sound logging survey work and accurate pinpointing of leaks via multi-point correlation. Operators can set up and download data without a PC, storing up to a week's survey data for later analysis. Loggers are downloaded via infra-red signal, removing the need for direct physical connection.



Key Features and Benefits

- **No software needed:** User can setup loggers and download data without using a PC.
- **Large memory:** Multiple downloads of data can be stored in the case before needing to download to PC
- **Flexible:** Custom recording setup available
- **Quick:** USB communications with a PC
- **Battery LED:** Indicates when battery is running low
- **Infra-Red:** Wireless connection with loggers
- **Day or night recording:** LCD screen with backlight and easy push button interface
- **Pulse interval timing:** Smooths reading of infrequent pulses
- **Long term monitoring:** 5 year battery life
- **Intensive:** Two cases can link together to set up and download
- **Multi-point correlation:** High performance multi point correlation
- **Fully waterproof:** The IP68 rating has been tested at 10m depth over a 24 hour period.
- **Software:** Compatible with Radcom "Soundsens" software

Applications

The correlator pods can find leaks in complex interconnected pipe networks. The advanced digital accelerometer circuits and sophisticated processing provides clean signals. The system can therefore give good performance even in difficult situations.

SoundSens *i* correlator pods are completely water proof, submersible and battery powered. They also require no maintenance for at least five years.

MONITORING ASSETS, DELIVERING DATA, BRINGING CONTROL

www.alliedpower.com.hk

Allied Power | 奥华
We Empower Your Business

SoundSens *i*

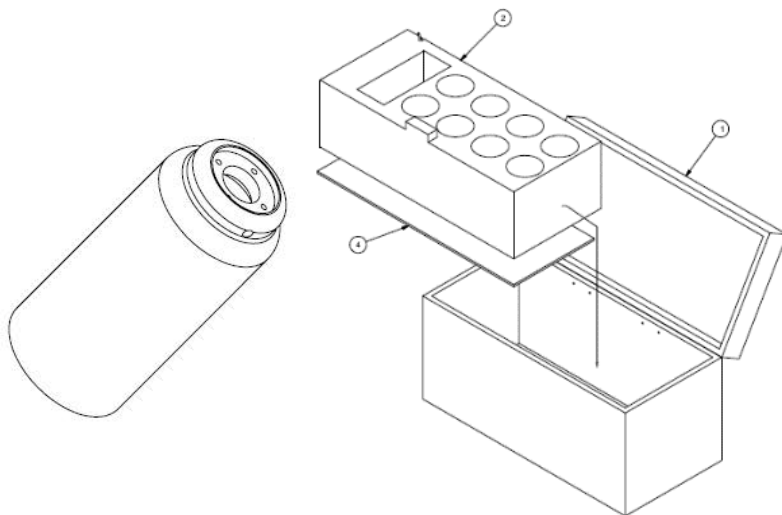
Multi-point correlation system

Sensor Input options

| | |
|------------------------------|--|
| Attachment of logger/ sensor | Internal High Performance Accelerometer to pick up audible noise in pipeline |
| | Powerful magnetic coupling to attach Correlator Pod to pipework / valve |

Communication

| | |
|--------------|---|
| Case to PC | Via USB connection to PC for faster download |
| Case to Pods | Simultaneous communication from case to pod via infra-red |
| Case to Case | Via 9 pin RS232 |



Logger Features

| | |
|--------------------|---|
| Logger ID | Factory set Logger ID number Also user can enter another logger Identity number to simplify recognition for operators |
| Construction | CPod: Die-cast aluminium enclosure, powdercoat spray painted Carry Case: Rugged construction with Aluminium Cladding |
| Dimensions | 160 H incl Magnet x 55D mm (6.3H x2.10D") |
| Weight | Correlator Pod: 0.7 kg (1.54 lb) |
| Operating Temp | -10 to +50°C (14°F to +122°F) |
| Ingress protection | IP68 submersible |
| Carry Case | Supplied in 2 - 4 pod case or 6 - 8 pod case (Two cases can be connected together) |
| Clock | On board 24 hour real time clock with date facility. |
| Memory | Recording 650,000 readings. (memory expandable to 1.35 million readings on request) |
| Delayed start | Either start at a nominated time, or after set delay period, e.g.; for unmanned night-time correlation |
| Power | Correlator pod has Lithium-ion cell operational for 5 years under normal operating conditions Carry Case interface unit contains NiCad battery which typically requires charging monthly or less. 240 /110v switch mode charger supplied in kit with mains lead. |
| Software | Compatible with Radcom "SoundSens" analysis software |



All Images, text and designs are protected by international and UK copy write law, and remain the property of HWM. It is against the law to copy or use any of the content from HWM website or literature without the written consent of HWM. HWM Ltd. reserve the right to vary the specification. **Issue 1. 06:2017**

Allied Power Technology Limited

Unit B, 11/F Long To Building
654-656 Castle Peak Road
Lai Chi Kok, Kowloon, Hong Kong

Tel: +852 3746 9033
Fax: +852 852 2120 8765
Email: contact@alliedpower.com.hk

MONITORING ASSETS, DELIVERING DATA, BRINGING CONTROL

www.alliedpower.com.hk

Allied Power | 奥华
We Empower Your Business