



CLEAN WATER

Allied Power | 奥华
We Empower Your Business



Pressure Transient Data Logger

The Pressure Transient logger is a highly advanced data logger.

With advances in 3G/GPRS communication and an innovative 'event window selection', the operator can now send transient alarm information and a selectable window of fast logged data before and after the event, or for set time based windows.

Network transient logging is no longer a purely survey operation, but can now be part of permanent network monitoring for standard flow and pressure logging. Transients are immediately identified so remedial action can be taken, avoiding bursts and infrastructure damage.



Key Features and Benefits

- **Fast logging capability:** Up to 100 times per second, ideal for transient monitoring changes
- **Event window selection:** Select data around transient for transmission
- **3G/GPRS:** Transmission of data via 3G/GPRS
- **Large memory:** 4 GB internal flash memory enables up to 2 billion readings.
- **Fully waterproof:** The IP68 rating has been tested at 10 m depth over a 24 hour period.
- **Long term monitoring:** Up to 5 years battery life
- **External battery packs:** Supports accelerated logging & dial-in regimes
- **Detailed analysis:** Specialist software supplied to enable detailed analysis
- **Flexible:** Internal and external sensor options

Applications

In addition to pressure transient logging, flow and pressure channels can be added to log other network parameters (Enhanced Network Logging), for comprehensive transient and general network monitoring. Sampling can be operator selected through a wide range of options to 100 samples per second.

The full range of HWM external battery packs can be connected to power accelerated dial in regimes and extended periods of maximum sample rate. These can simply be exchanged on site as required.

MONITORING ASSETS, DELIVERING DATA, BRINGING CONTROL

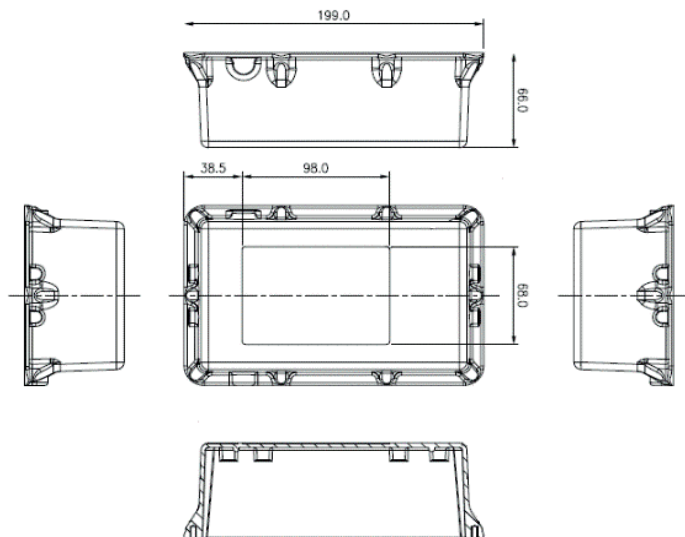
Pressure Transient Data Logger

Sensor Input options

Analogue	Internal or External Pressure Transducer. Supplied with quick fit connector. 0-30 bar, accuracy $\pm 0.1\%$
Memory	4 GB internal flash memory enables up to 2 billion readings.

Communication

USB	USB 2.0 connection by MIL connector for connection to PC or Tablet.
Internal cellular modem	GPRS to HWM Datagate or customer's own server, multiple connections per day
	Quad band GPRS modem supplying 850/900/1800/1900MHz bands
	GPRS can send data down to every 5 mins, with appropriate external power source (eg battery pack)
	USB 2.0 connection by MIL connector for connection to PC or Tablet.



All Images, text and designs are protected by international and UK copy write law, and remain the property of HWM. It is against the law to copy or use any of the content from HWM website or literature without the written consent of HWM. HWM Ltd. reserve the right to vary the specification. **Issue 1. 06:2017**

Logger Features

Frequency	Standard data logging – 1 sample per second to 1 sample per day. Fast logging – 1 to 100 samples per second.
Logger ID	Up to 8 alphanumeric characters
Clock	On board 24 hour real time clock with date facility.
Dimensions	199H x 125W x 66D mm (7.7"H x 4.7"W x 2.8"D)
Construction	Die-cast aluminium enclosure
Weight	1.6 Kg (3.5 lb)
Operating Temp	-20 to +70°C (-5 to +160°F)
Ingress protection	IP68
Power	Lithium-Thionyl Chloride cell operational for 1 to 5 years depending on usage External power input (+12V or HWM battery box). Battery boxes to support more frequent dial-in and long term accelerated logging
Alarms	Minimum or maximum duration-triggered threshold alarm per channel. 16 Alarms per logger. Each alarm out comment field 16 characters User definable threshold transient alarm. User selected window of data around transient transmitted with alarm

Allied Power Technology Limited

Unit B, 11/F Long To Building
654-656 Castle Peak Road
Lai Chi Kok, Kowloon, Hong Kong

Tel: +852 3746 9033
Fax: +852 852 2120 8765
Email: contact@alliedpower.com.hk

MONITORING ASSETS, DELIVERING DATA, BRINGING CONTROL

www.alliedpower.com.hk

Allied Power
We Empower Your Business

奥
华